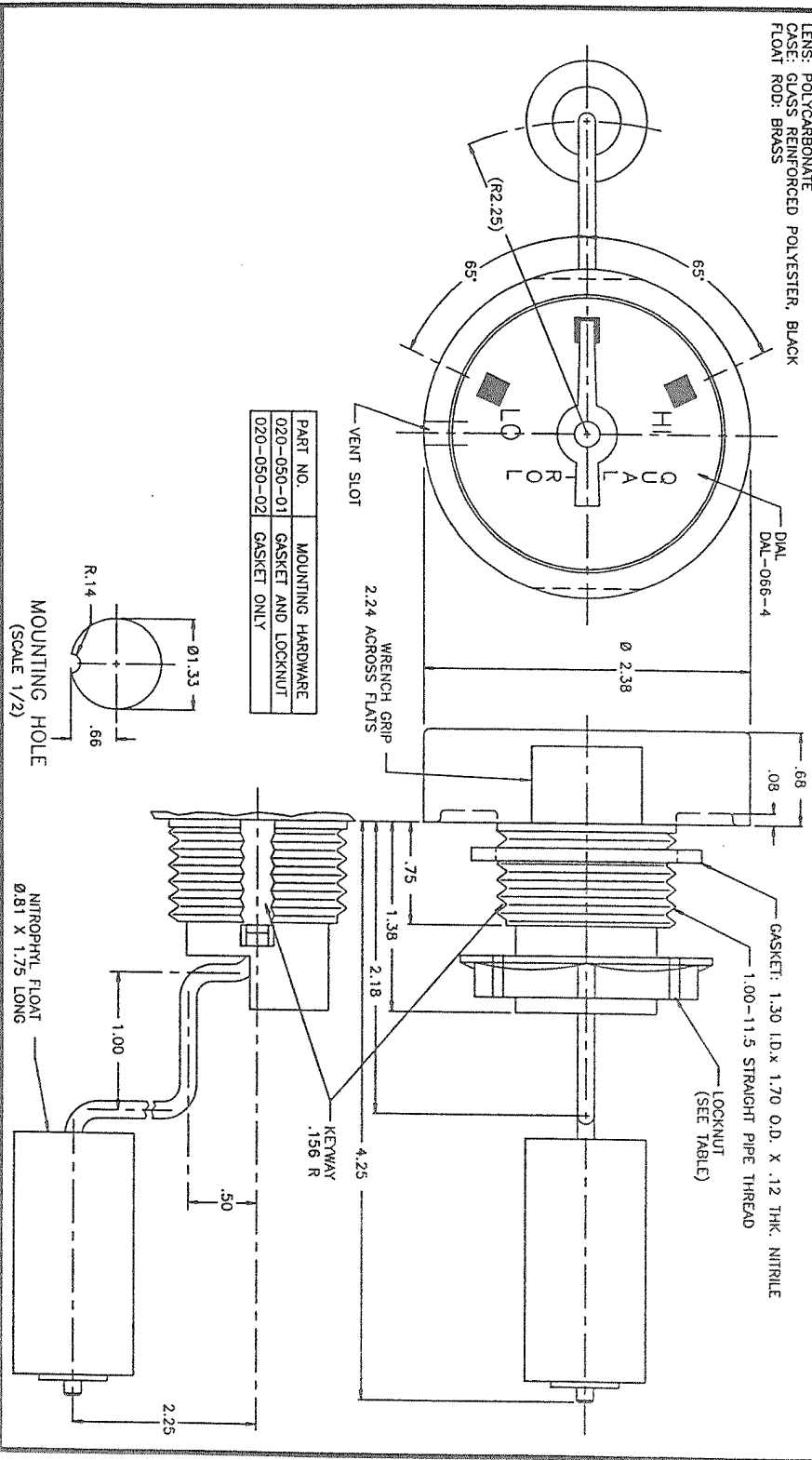


ALL DIMENSIONS ARE FOR REFERENCE ONLY
 GAGE FACE IS FREE BREATHING
 DIA: WHITE CHARACTERS, BLACK BACKGROUND
 POINTER: WHITE
 LENS: POLYCARBONATE
 CASE: GLASS REINFORCED POLYESTER, BLACK
 FLOAT ROD: BRASS

ALL ANGULAR DEGREES SHOWN REFLECT FLOAT ROD TRAVEL
 MINIMUM RECOMMENDED TANK WALL THICKNESS: .093
 APPROXIMATELY 1/4 TURN PAST FINGER TIGHT
 (110-130 in-lb ON SUPPLIED LOCKNUT).

MODEL NO. **020-050**

REVISION	
SUPER 0891032A01	OF 9-5-96, UPDATED TO PLASTIC LOCK-NUT
01	1-25-00 RJS



PART NO.	MOUNTING HARDWARE
020-050-01	GASKET AND LOCKNUT
020-050-02	GASKET ONLY

1-14-00	REV'D LOCKNUT, GASKET DIMS & TORQUE SPEC.	20835
3-19-97	DAL-066-4 WAS DAL-066-20	18133
12-4-95	REV'D NUT & ADDED TORQUE SPEC.	16906
LET	DATE	ALTERATION

Qualitrol
 CORPORATION
 1385 FAIRPORT ROAD
 FAIRPORT, NY 14450
 FORM 0-473 REV.C 7/1/97

TITLE:	2 INCH LEVEL GAGE
MODEL NO.:	020-050

* CRITICAL DIMENSION	UNLESS OTHERWISE SPECIFIED	SUPPLIER:
CONFIDENTIAL - MUST NOT BE USED IN ANY WAY DETRIMENTAL TO COOPER POWER SYSTEMS	1 - PLACE DECIMAL ± .1 2 - PLACE DECIMAL ± .06 3 - PLACE DECIMAL ± .030	ANGULAR ± 2°

TRANSFORMER PRODUCTS	
NAME	COOPER WAUKESHA, WI
DESC	QUALITROL MOL GAUGE
DWG	RJS
CHK/ISS	1-24-00
PRINT DIST:	LUMB, 61
08	91032 A 01

08 91032 A 01